

# NSN3

The Fuji model NSN3 portable neutron survey meter is very lightweight and small without polyethylene moderator. The energy response is improved using the spectrum weighting function.

The NSN3 survey meter measures ambient dose equivalent and ambient dose equivalent rate of neutrons.

## FEATURES

- Lightweight and portable (Weighs only 2kg)
- Ideal for a wide range of measurements
- AC power, primary and secondary cells are applicable
- Equipped with USB drive function and can display measurement values on a PC

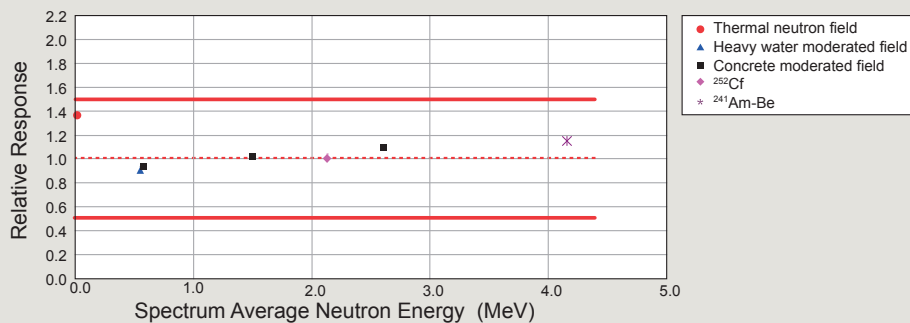
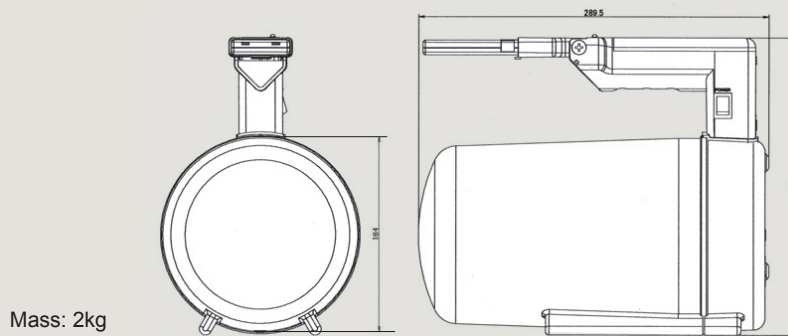
## Portable Neutron Survey Meter



**SPECIFICATIONS**

Radiation detected	: Neutron rays
Measurement quantity	: 1cm dose equivalent
Detector	: Gas detector
Sensitivity	: $0.3 \text{ s}^{-1} / \mu\text{Sv/h} \pm 20 \%$ , ref. $^{252}\text{Cf}$
Measurement Range	dose rate : $0.1 \mu\text{Sv/h}$ to $99.99 \text{ mSv/h}$
	dose : $0.01 \mu\text{Sv}$ to $99.99 \text{ mSv}$
Accuracy	dose rate : $\leq \pm 15 \%$ at $10 \mu\text{Sv/h}$
	dose : $\leq \pm 25 \%$ at $0.05 \mu\text{Sv}$
Energy range	: $0.025\text{eV}$ to $15 \text{ MeV}$
Energy dependency	: ICRP74 compliance
Angular dependence	: $\leq \pm 25 \%$ ( $\pm 90^\circ$ from threshold)
Dose rate characteristic	: $\leq \pm(20 + U)\%$ (U : Uncertainty of reference source)
Gamma ray sensitivity	: No response until $1 \text{ mSv/h}$
Battery life	: Displays continuously 17 hours or more
	: Displays intermittently 31 hours or more (displays 1min, during 5min.)
Response time	: Less than 4sec: over $1\text{mSv/h}$
Display	: Organic EL triple-digit display (Dose rate, Integrating dose)
Power supply	: 3-way / Primary battery or secondary battery (AA type, 6 cells)
	: AC adaptor(IN: $100$ to $240\text{V AC}$ ) (option)
Operating temperature	: $-10$ to $+45 \text{ }^\circ\text{C}$ / $+14$ to $+113 \text{ }^\circ\text{F}$
Operating humidity	: $35$ to $90 \%$ (non-condensing)
Size	: $\Phi 164$ (without the probe) $\times 289.5 \text{ mm}$ / $\Phi 6.46 \times 11.4 \text{ in.}$
Mass	: $2 \text{ kg}$ / $4.4 \text{ lb}$ approx. (including batteries)
Interface	: USB
Compliance code	: IEC61005(2003), JIS Z4341( 2006)

Outline (unit : mm)



**CAUTION**

\*Read the instruction manual provided before using this product, to make sure you operate it safely.

**Fuji Electric Systems Co., Ltd.**

**Headquarters**

Sales Group, International Sales Div.  
 Gate City Ohsaki, East Tower, 11-2, Osaki 1-chome, Shinagawa-ku, Tokyo 141-0032, Japan  
 Phone: +81-3-5435-7275, FAX: +81-3-5435-7437